



SKIN CARE



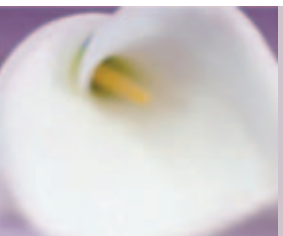
BODY CARE



HAIR TREATMENT



SUN CARE

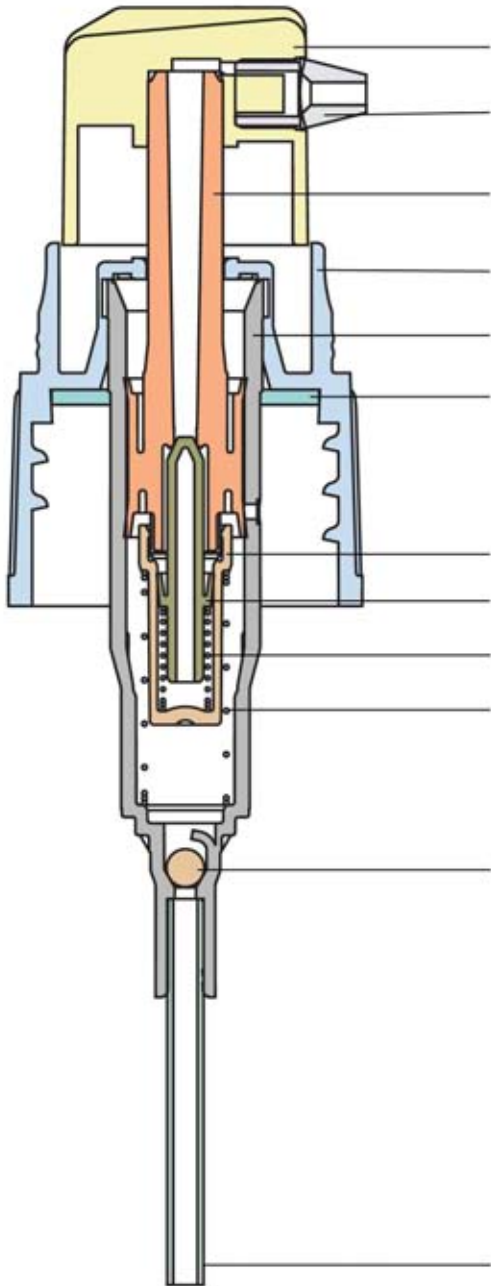


M300™, one of MeadWestvaco Calmar's most reliable pumps, commercially available for over 10 years, provides a unique combination of high quality performance, smooth actuation and compatibility with extremely difficult and aggressive formulations, guaranteeing the fulfilment of the most demanding requirements.

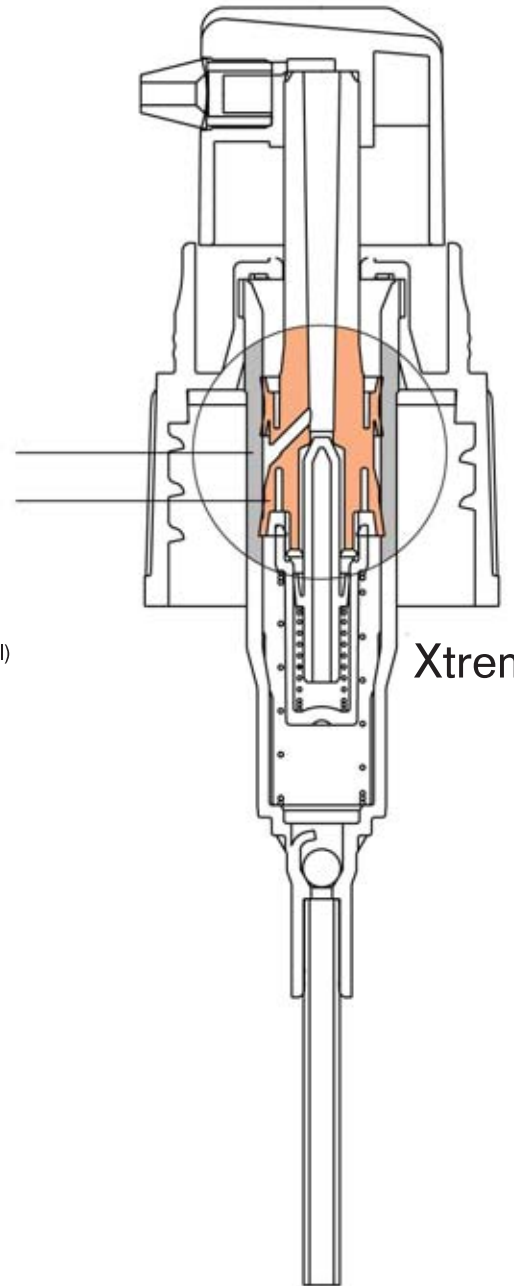
M 300™

COSMETICS



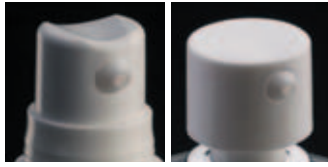


- head (PP / POM)
- orifice (POM)
- main piston (PE)
- closure (PP)
- main accumulator (PP)
- gasket (upon request)
- main accumulator Airless (PP)
- main piston Airless (PE)
- secondary accumulator (POM)
- secondary piston (PE)
- pre-compression spring (stainless steel)
- main spring (stainless steel)
- ball (stainless steel)
- dip tube (upon request)



Xtreme

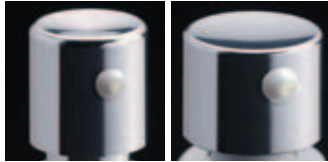
plastic heads →



16

20

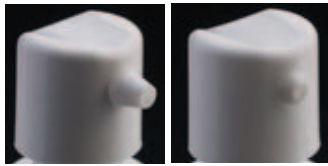
metal heads →



16

20

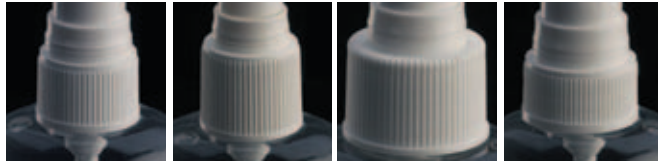
cream orifices →



FL

1.6 FL

closures →



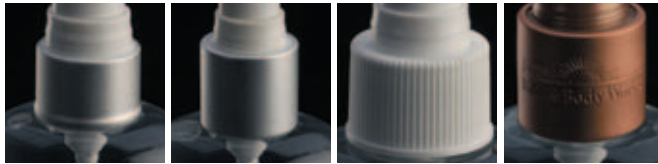
GL 20

GPI 22 x 415

GPI 24 x 410
(smooth and ribbed)

GPI 20 x 400

sheathed closures →



GL 20

GPI 22 x 415

GPI 24 x 410

customised

ferrules →



18 mm

20 mm

outputs →



0.165 ml

0.200 ml

0.300 ml

overcap →



plastic hood